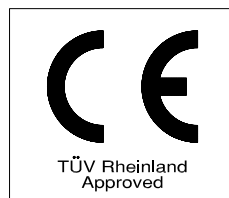




Semi-Auto BANDSAWS

BS-760M

PARTS LIST



MEGA MACHINE CO., LTD.

DOC NO : BS760M-102.BMP

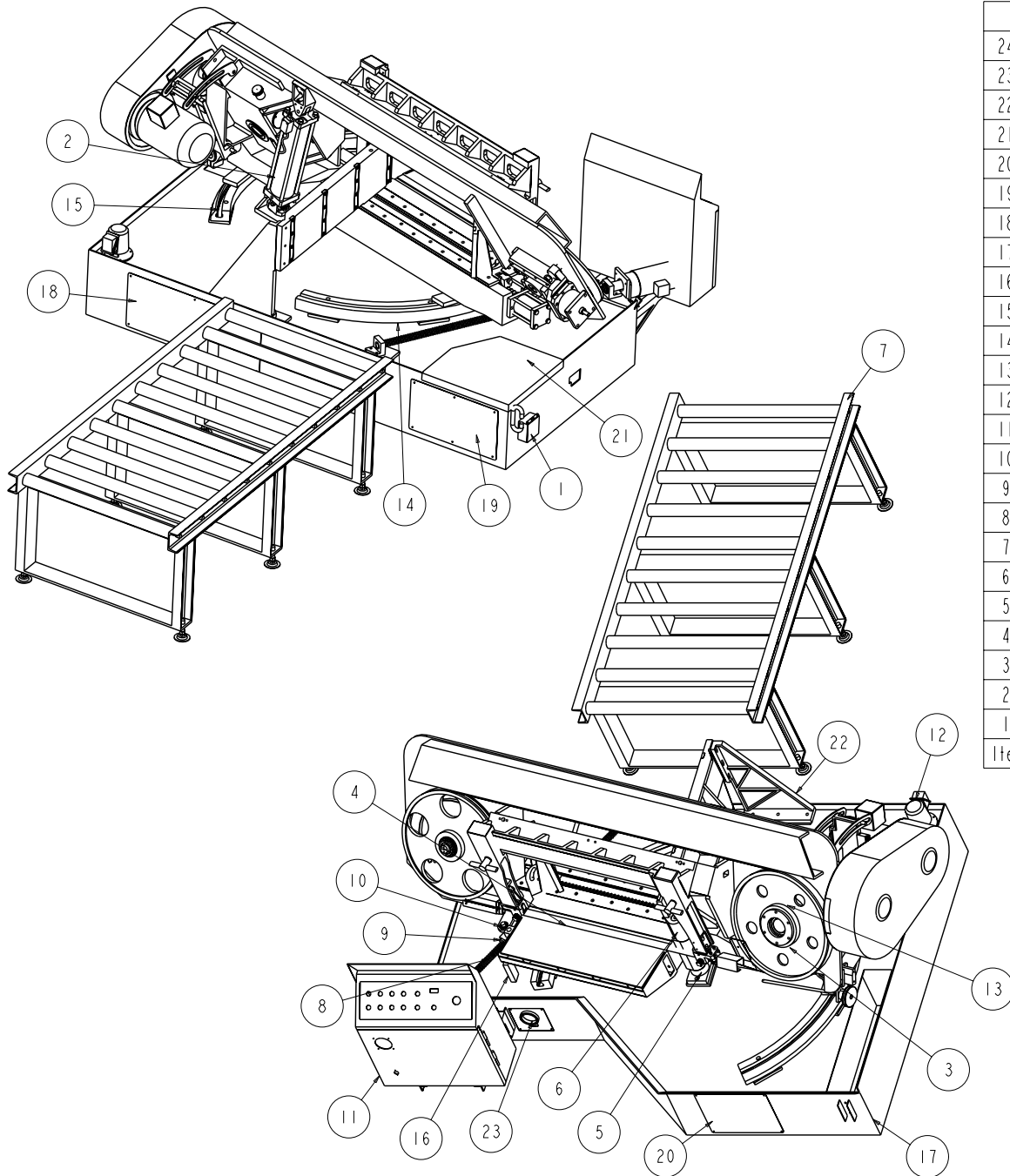
CTL NO : 06

DEF DATE : 1998/07/23

DOC VER : A1

Title	760M PARTS LIST	CTRL NO	760M-102.BMP	Ver	A3
Unit Name	Index			Update Date	2008/3/28

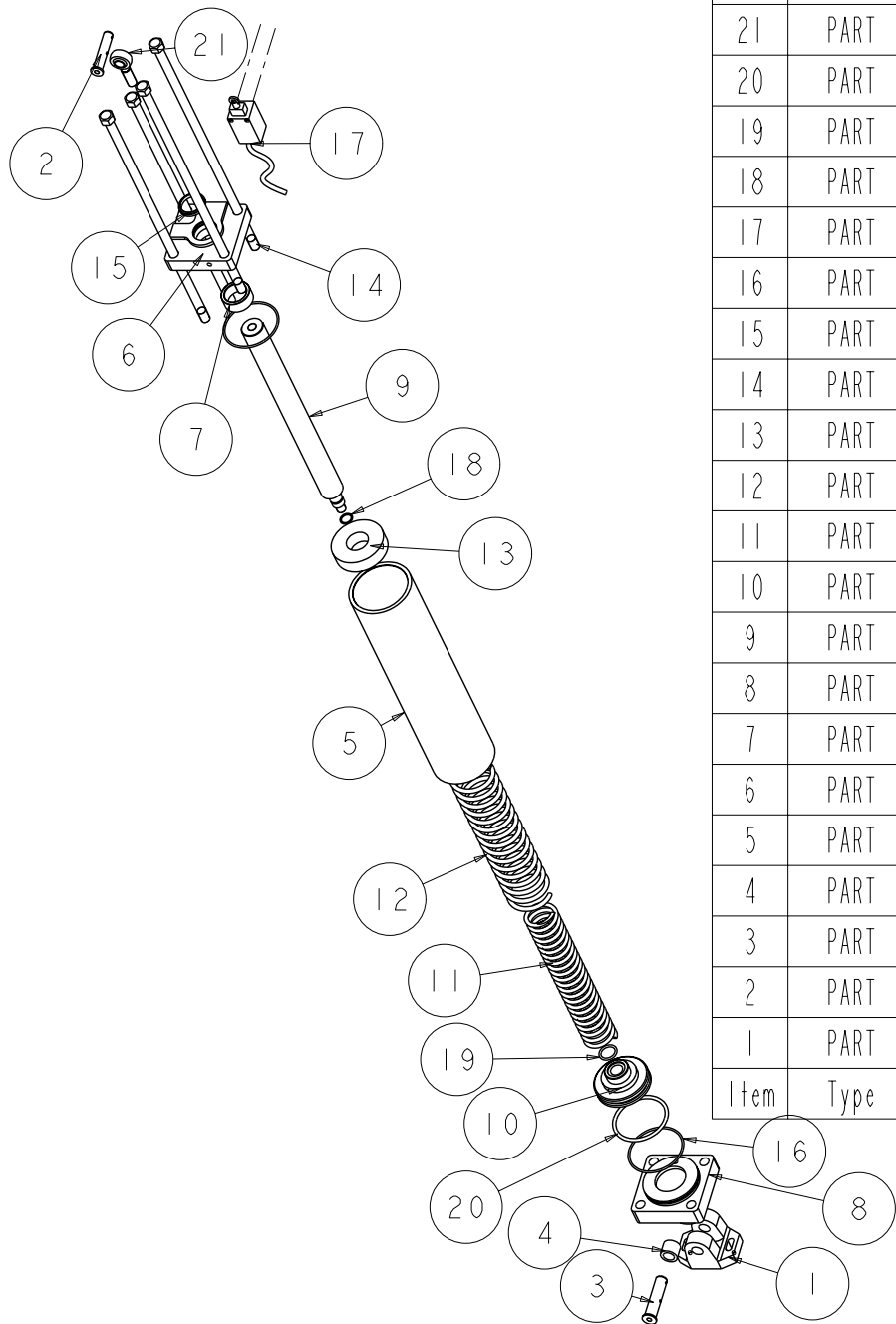
Item	Contents	Page
1.	Base Cabinet ASSY(底座組立)	1
2.	Lift Cylinder ASSY(升降油缸組件)	2
3.	Saw Frame ASSY(鋸輪架組立)	3
3.1	Worm Gear Box ASSY(蝸輪箱組立)	4
3.2	Left Arm ASSY(左導鋸支臂組立)	5
3.2.1	Carbide Holder (L) ASSY(導鋸座組立)	6
3.3	Right Arm ASSY(右導鋸支臂組立)	7
3.3.1	Carbide Holder (R) ASSY(右導鋸支臂組立)	8
3.4	Tension Cylinder ASSY(張力油缸組立)	9
3.4.1	Tension Cylinder ASSY(張力油缸組立)	10
3.5	Wire Brush ASSY(鋼絲輪刷組立)	11
3.6	Wire Brush ASSY(鋼刷輪組立)	12
3.7	Driven Spindle ASSY(被動輪主軸組立)	13
4.	Rear Vise Bed ASSY(後床台組立)	14
4.1	Cylinder ASSY(夾鉗油缸組立)	15
5.	Bracket ASSY(床台轉軸固定座組立)	16
6.	Vise Jaw ASSY(右夾鉗組立)	17
7.	Roller Table ASSY(滾輪台組立)	18
8.	Rotate System(轉向系統)	19
9.	Stopper Bracket ASSY(定寸螺帽座組立)	20
10.	Linkage ASSY(連趕組立)	21



24	骨架型	760M-1501A_SKEL	Skeleton	骨架	1	MEGA CO.;Ltd
23	PART	H330A-1531CE	Cover	底座前蓋板	1	
22	PART	760M-5010	VICE BRACKET	右夾鉗固定座	1	
21	PART	760M-1538	Cover	底座上蓋	1	MEGA CO.;Ltd
20	PART	760M-1534	Cover	底座護蓋 (變頻器護蓋)	1	
19	PART	760M-1533	Cover	底座護蓋	1	
18	PART	760M-1532	Cover	底座護蓋	1	
17	PART	760M-1501	BASE CABINET	底座	1	
16	PART	760M-0860	Bracket	角度歸零座	1	MEGA CO.;Ltd
15	PART	760M-0805	SLIDE	滑道	1	
14	PART	760M-0804	SLIDE	滑道	1	
13	PART	250HAS-1370	Bracket (Down)	油缸底座	1	
12	PART	1_8HP	Pump	幫浦	1	
11	ASSEMBLY	760M-1535A	Electric Box ASSY	電氣箱組立	1	
10	ASSEMBLY	760M-0987A	LINKAGE ASSY	連桿組立	1	
9	ASSEMBLY	760M-0983A	STOPPER BRACKET ASSY	定位螺帽組立	1	
8	ASSEMBLY	760M-0980A	ROTATE SYSTEM	轉向系統	1	
7	ASSEMBLY	760M-0902AA	Roller Table ASSY	滾輪台組立	1	
6	ASSEMBLY	760M-0820A	VICE JAW ASSY	右夾鉗組立	1	
5	ASSEMBLY	760M-0803A	Bracket ASSY	床台轉軸固定座組立	1	
4	ASSEMBLY	760M-0801A	REAR VISE BED ASSY	後床台組立	1	
3	ASSEMBLY	760M-0350A	Saw Frame ASSY	鋸輪架組立	1	
2	ASSEMBLY	450HAS-1300A	Lift Cyinder ASSY	升降油缸組件	1	
1	ASSEMBLY	250HAS-1530A	Electric Box (1)	電氣箱 (1)	1	
Item	Type	Model_NO (件號)	ENG_Name (英文名稱)	CHI_Name (中文名稱)	QTY	Maker (製造商)

PROJECTION METHOD		NAME	BASE CABINET ASSY	
DESIGNED	薛031128		底座組立	
DRAWN	薛061127		MEGA MACHINE CO., LTD..	
CHECKED				
APPROVED		SCALE	0.050	QTY: 1.000
		MODEL_NO:	760M-1501A.1	

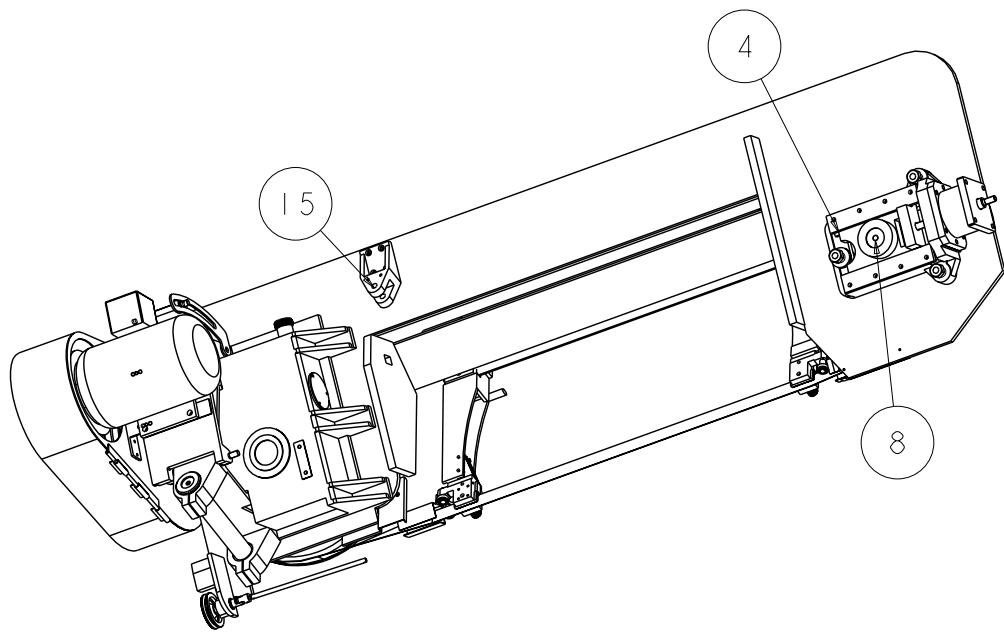
G:\PROE\760M-1501A.1



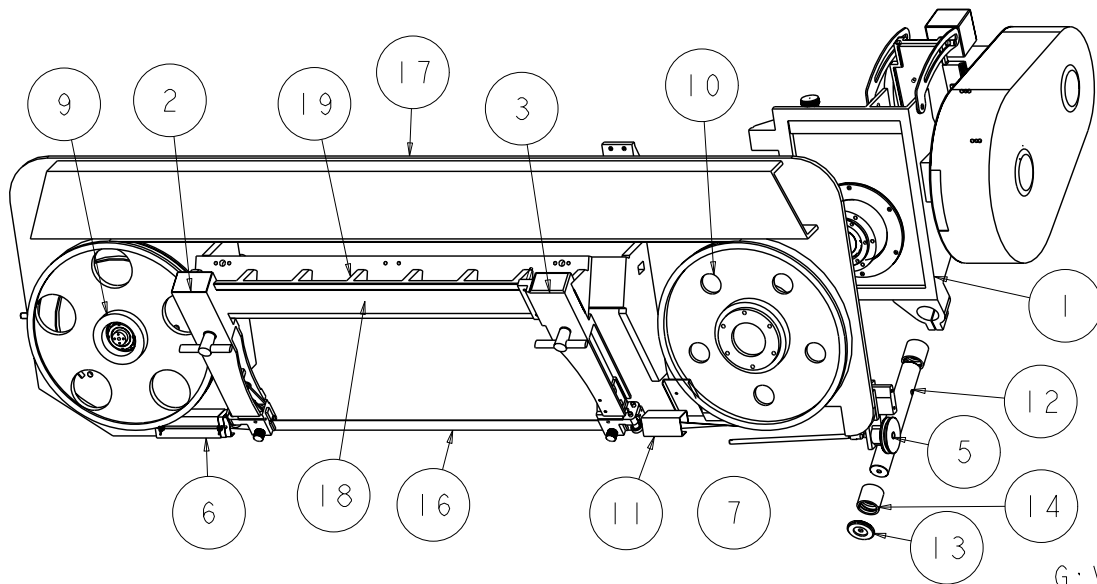
21	PART	POS16	Bearing	球軸承	1	
20	PART	P90	O Ring	O型環	1	
19	PART	P26	O-Ring	O型環	1	
18	PART	P18	O-Ring	O型環	1	
17	PART	NEMA_A600	Limit Switch	極限開關	1	
16	PART	G95	O-Ring	油封	2	
15	PART	DH40485	Seal	油封	1	
14	PART	450HAS-1350	Bolt	螺栓	4	
13	PART	450HAS-1349	Collar	彈簧襯套	1	
12	PART	450HAS-1346	Spring	升降油缸彈簧	1	
11	PART	450HAS-1345	Spring	升降油缸彈簧	1	
10	PART	450HAS-1341	Piston	活塞	1	
9	PART	450HAS-1340	Piston Rod	活塞桿	1	
8	PART	450HAS-1320	Cover	升降油缸下蓋	1	
7	PART	450HAS-1311	Oiless	油缸襯套	1	
6	PART	450HAS-1310	Cover	升降油缸上蓋	1	
5	PART	450HAS-1300	Cylinder	升降油缸	1	
4	PART	450HAS-1204	Oiless	磷青銅	1	
3	PART	250HAS-1390	Pin	底座銷	1	
2	PART	250HAS-1380	Pin	上座銷	1	
1	PART	250HAS-1370	Bracket (Down)	油缸底座	1	
Item	Type	Model_NO (件號)	ENG_Name (英文名稱)	CHI_Name (中文名稱)	QTY	Maker (製造商)

PROJECTION METHOD		NAME: Lift Cyinder ASSY	
DESIGNED	薛030326	升降油缸組件	
DRAWN	薛030327	MEGA MACHINE CO., LTD.	
CHECKED		SCALE 0.080	QTY: 1
APPROVED		MODEL_NO: 450HAS-1300A.1	

G:\PROE\450HAS-1300A.1

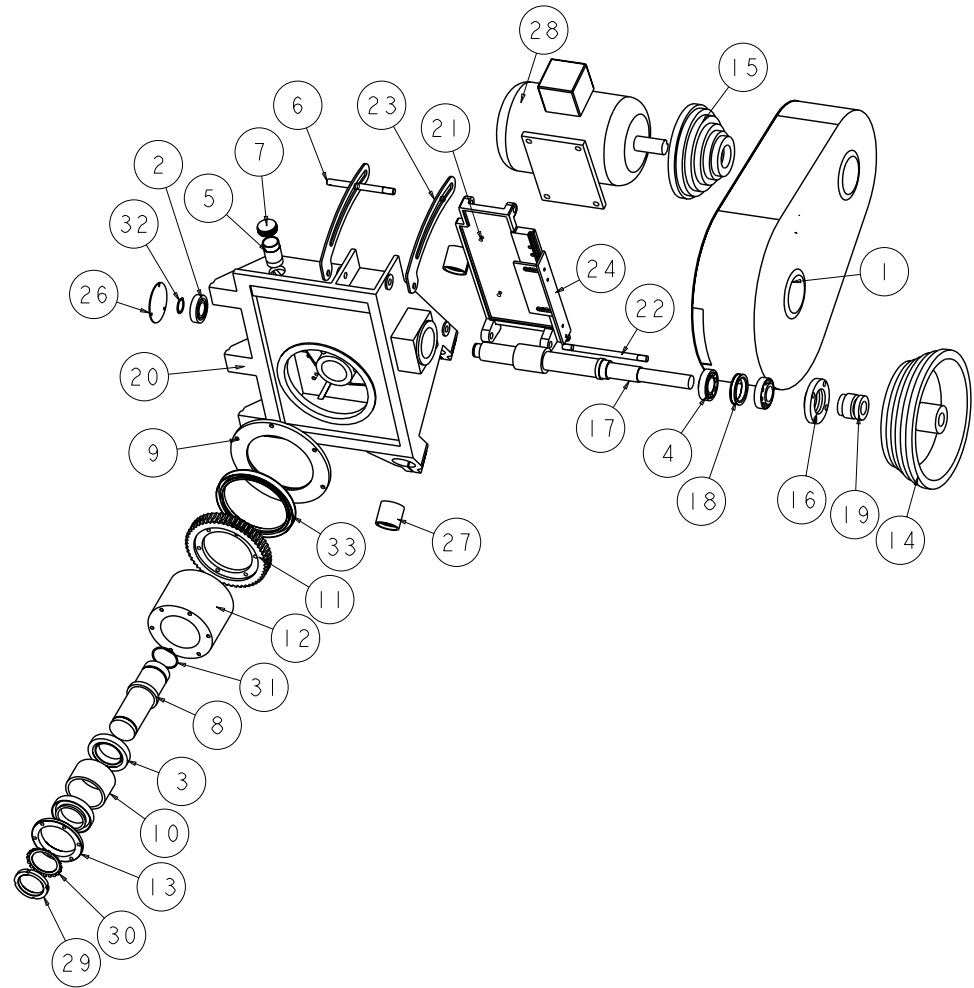


20	骨架模型	50HAS-0350A_SKEL	Skeleton	骨架		
19	PART	H1830-0500	SLIDE	滑槽板		
18	PART	H1830-0499	PLATE	滑尺底板		
17	PART	760M-0350	SAW FRAME	鋸輪架		
16	PART	5500-38-1_3T	Blade	鋸帶		
15	PART	450HAS-1360	Bracket (Top)	油缸上座		
14	PART	450HAS-1250	Ring	旋轉軸襯套	2	
13	PART	450HAS-1220	Washer	軸墊圈	2	
12	PART	450HAS-1200	Shaft	旋轉軸		
11	PART	450HAS-0355	Blade Saw Cover(R)	鋸帶護蓋(右)		
10	PART	450HAAS-0200	DRIVE WHEEL	主動輪		
9	PART	450HAAS-0010	DRIVEN WHEEL	被動輪		
8	ASSEMBLY	H550A-0040A	Driven Spindle Assy	被動輪主軸組立		MEGA CO;LTD
7	ASSEMBLY	H330A-1945A	Wire Brush ASSY	鋼刷組立		
6	ASSEMBLY	760M-0353A	Blade Saw Cover(L)	鋸片護蓋組(左)		
5	ASSEMBLY	450HAS-1900A	Wire Brush ASSY	鋼絲輪刷組立		
4	ASSEMBLY	450HAS-0150A	ension Cylinder ASSY	張力油缸組立		
3	ASSEMBLY	450HAS-0520	RIGHT ARM ASSY	右導鋸支臂組立		
2	ASSEMBLY	450HAS-0510	LEFT ARM ASSY	左導鋸支臂組立		
1	ASSEMBLY	450HAAS-0340	WORM GEAR BOX ASSY	蝸輪箱組立		
Item	Type	Model_NO(件號)	ENG_Name(英文名稱)	CHI_Name(中文名稱)	QTY	Maker(製造商)



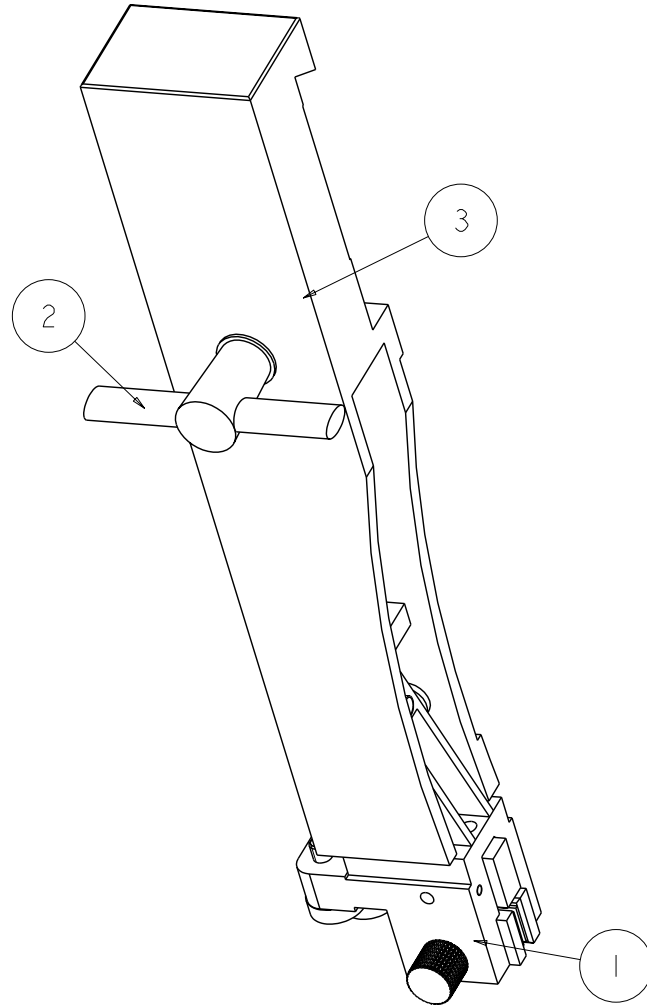
PROJECTION METHOD		NAME: Saw Frame ASSY
DESIGNED	薛020606	鋸輪架組立
DRAWN	薛030327	MEGA MACHINE CO., LTD.
CHECKED		SCALE 0.050
APPROVED		QTY: 1
G:\PROE\760M-0350A.1		MODEL_NO: 760M-0350A.1

33	PART	TC-18021518	TC_PACKING	TC油封	1	
32	PART	S35	Clip	C形扣環	1	
31	PART	G65	O-Ring	O型環	1	
30	PART	AW14	AW Washer	墊圈	1	
29	PART	AN14	AN Nut	軸承用螺帽	1	
28	PART	7P5HP4P	MOTOR	馬達	1	
27	PART	450HAS-1250	Ring	旋轉軸襯套	2	
26	PART	450HAS-0335	Plate	蝸輪箱左側蓋	1	
25	PART	450HAS-0327		護油套	1	
24	PART	450HAAS-0480	COVER SUPPORTER	皮帶輪蓋支座	1	
23	PART	450HAAS-0430	Plate	調整片	2	
22	PART	450HAAS-0410	SHAFT	馬達板轉軸(下)	1	
21	PART	450HAAS-0400	Motor Plate	馬達板	1	
20	PART	450HAAS-0340	WORM GEAR BOX	蝸輪箱	1	
19	PART	450HAAS-0328	PRESS COLLAR	軸承頂壓套	1	
18	PART	450HAAS-0326	SPACER	軸承墊套	1	
17	PART	450HAAS-0325	WORM SHAFT	蝸桿	1	
16	PART	450HAAS-0315	COVER	蝸輪右側箱蓋	1	
15	PART	450HAAS-0295	MOTOR PULLEY	馬達皮帶輪	1	
14	PART	450HAAS-0285	WORM PULLEY	蝸桿皮帶輪	1	
13	PART	450HAAS-0271	Bearing Cover	主動輪軸承蓋	1	
12	PART	450HAAS-0252	BEARING BRACKET	軸承座	1	
11	PART	450HAAS-0251	WORM GEAR	蝸輪(雙線紋)	1	
10	PART	450HAAS-0240	WASHER	間隔環	1	
9	PART	450HAAS-0220	WORM GEAR COVER	蝸輪箱蓋	1	
8	PART	450HAAS-0210	WORM GEAR SHAFT	驅動蝸輪軸	1	
7	PART	250HAS-1516	Cover	進油口蓋	1	
6	PART	250HAS-0450	Bolt	螺栓	1	
5	PART	250HAS-0341	Enter	注油口	1	
4	PART	32208	Bearing	軸承	2	
3	PART	32014	BEARING	軸承	2	
2	PART	6207	Bearing	軸承	1	
1	ASSEMBLY	450HAAS-0474A	PULLEY COVER	皮帶輪護蓋	1	
Item	Type	Model_NO(件號)	ENG_Name(英文名稱)	CHI_Name(中文名稱)	QTY	Maker(製造商)



PROJECTION METHOD		NAME	WORM GEAR BOX ASSY
DESIGNED	蘇890719		蝸輪箱組立
DRAWN	蘇05'0624	MEGA MACHINE CO., LTD..	
CHECKED			
APPROVED		SCALE	0.080 QTY: 1
		MODEL_NO	450HAAS-0340A.1

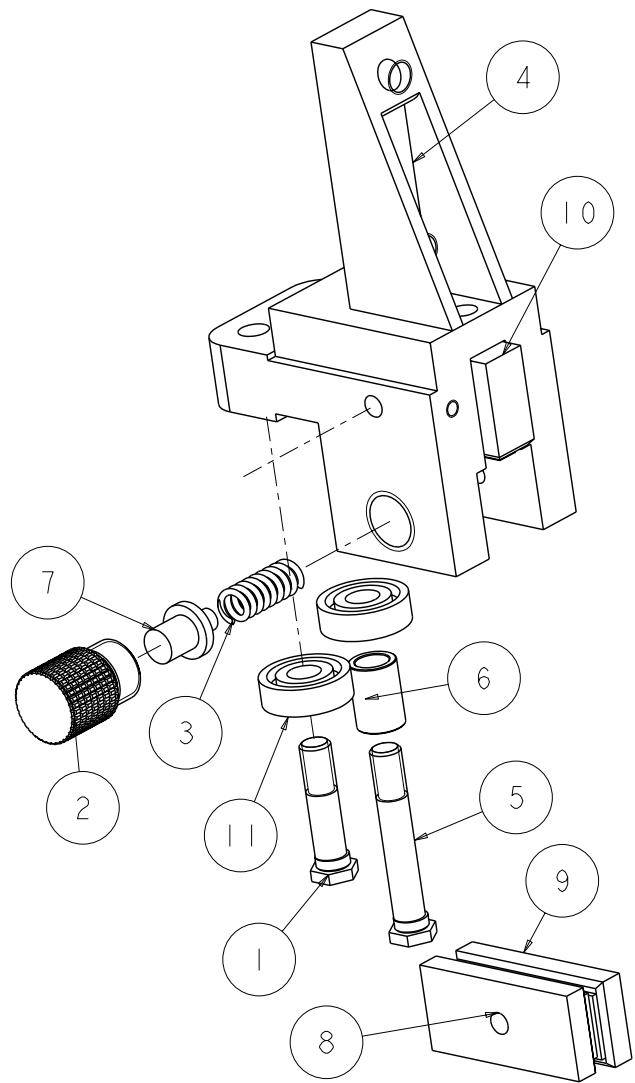
G:\PROE\450HAAS-0340A.1



3	PART	450HAAS-0510	Guide Arm (L)	導鋸支臂	1	
2	PART	250HAS-0530	Handle	導鋸手柄	1	
1	ASSEMBLY	450HAAS-055	Carbide Holder (L) ASSY	導鋸座組立	1	
Item	Type	Model_NO (件號)	ENG_Name (英文名稱)	CHI_Name (中文名稱)	QTY	Maker (製造商)

PROJECTION METHOD		NAME: LEFT ARM ASSY	
DESIGNED	薛901227	左導鋸支臂組立	
DRAWN	薛901227	MEGA MACHINE CO., LTD.	
CHECKED		SCALE 0.250	QTY: 1
APPROVED		MODEL_NO: 450HAS-0510A.1	

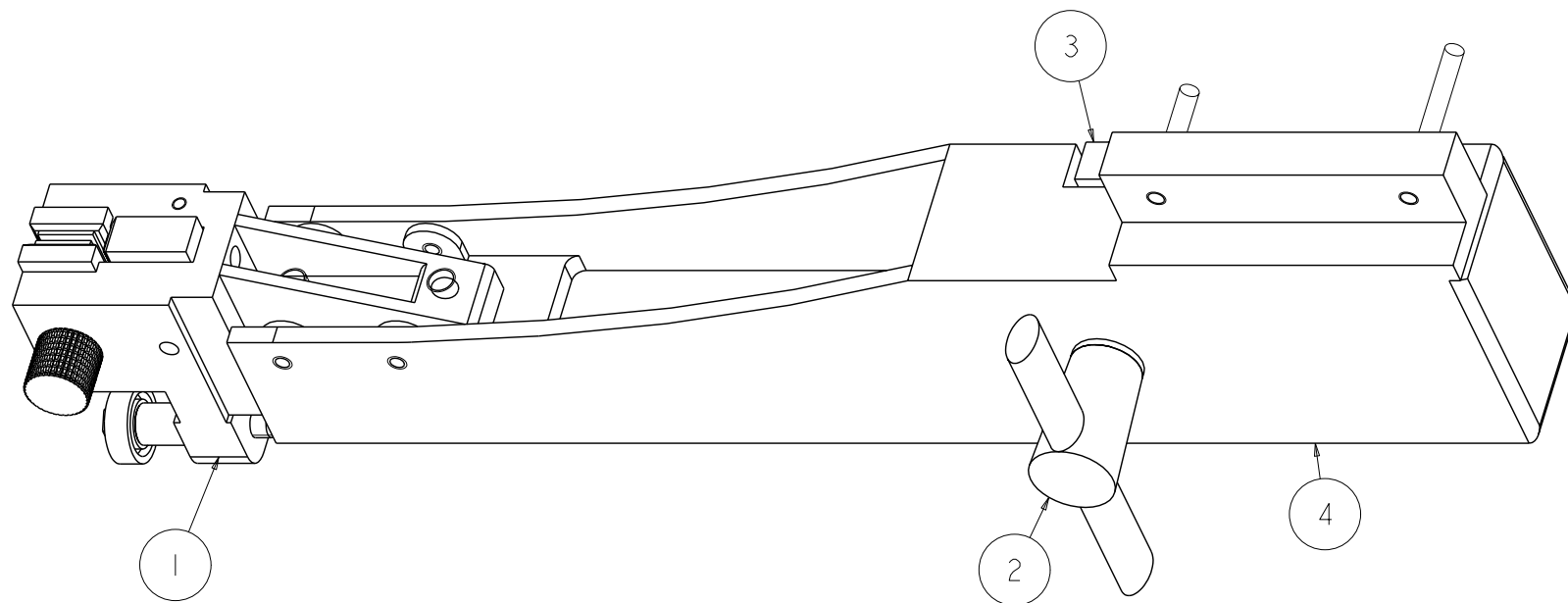
G:\PROE\450HAS-0510A.1



Item	Type	Model_NO (件號)	ENG_Name (英文名稱)	CHI_Name (中文名稱)	QTY	Maker (製造商)
11	PART	6201ZZ	Ball Bearing	滾珠軸承	2	
10	PART	450HAAS-0680	CARBIDE(TOP)	導鋸片(B)	1	
9	PART	450HAAS-0671	CARBIDE(F)	導鋸片(前)	1	
8	PART	450HAAS-0670	CARBIDE(F)	導鋸片(前)	1	
7	PART	450HAAS-0660	SPRING SEAT	導鋸片銷	1	
6	PART	450HAAS-0620	COLLAR	導鋸墊圈	1	
5	PART	450HAAS-0590	Shaft-Long	支軸(長)	1	
4	PART	450HAAS-0551	CARBIDE HOLDER (L)	導鋸座	1	
3	PART	250HAS-0640	Spring	反振彈簧	1	
2	PART	250HAS-0630	Adjust Bolt	調整螺絲	1	
1	PART	250HAS-0600	Shaft-Short	支軸(短)	1	

PROJECTION METHOD		NAME: Carbide Holder (L) ASSY	
DESIGNED	薛890719	導鋸座組立	
DRAWN	薛020910	MEGA MACHINE CO., LTD.	
CHECKED		SCALE: 0.400	QTY: 1
APPROVED		MODEL_NO: 450HAS-0551A.1	

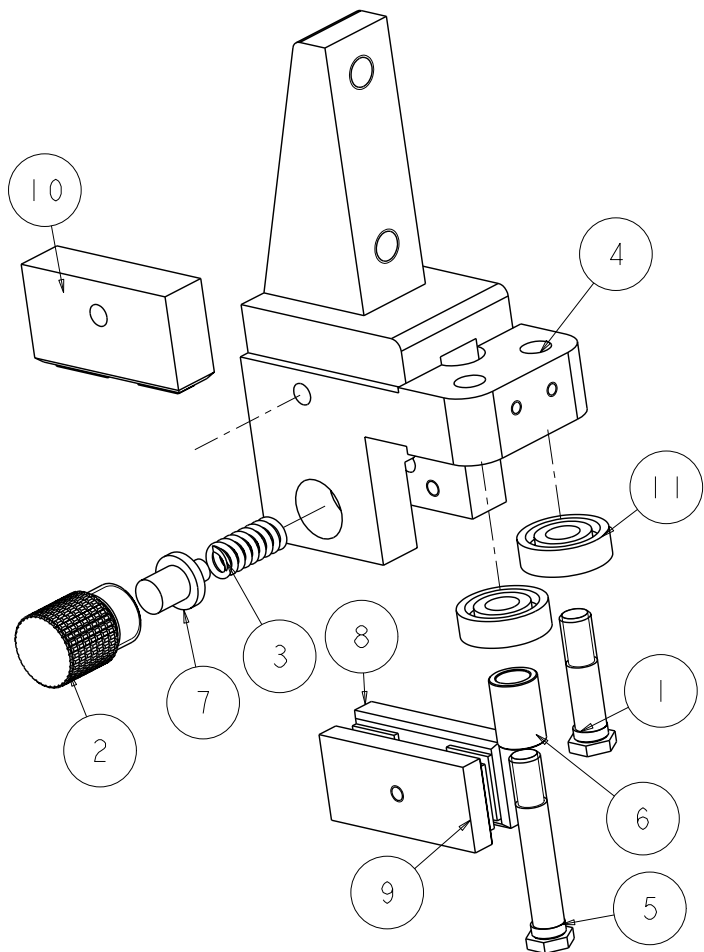
G:\PROE\450HAS-0551A.1



4	PART	450HAAS-0520	GUIDE ARM (R)	導鋸支臂 (R)	1	
3	PART	250HAS-0540	Wedge	固定槽板	1	
2	PART	250HAS-0530	Handle	導鋸手柄	1	
1	ASSEMBLY	450HAAS-056	Carbide Holder (R) ASSY	右導鋸支臂組立	1	
Item	Type	Model_NO (件號)	ENG_Name (英文名稱)	CHI_Name (中文名稱)	QTY	Maker (製造商)

PROJECTION METHOD		NAME: RIGHT ARM ASSY	
DESIGNED	薛901228	右導鋸支臂組立	
DRAWN	薛020910	MEGA MACHINE CO., LTD.	
CHECKED		SCALE: 0.350	QTY: 1
APPROVED		MODEL_NO: 450HAS-0520A.1	

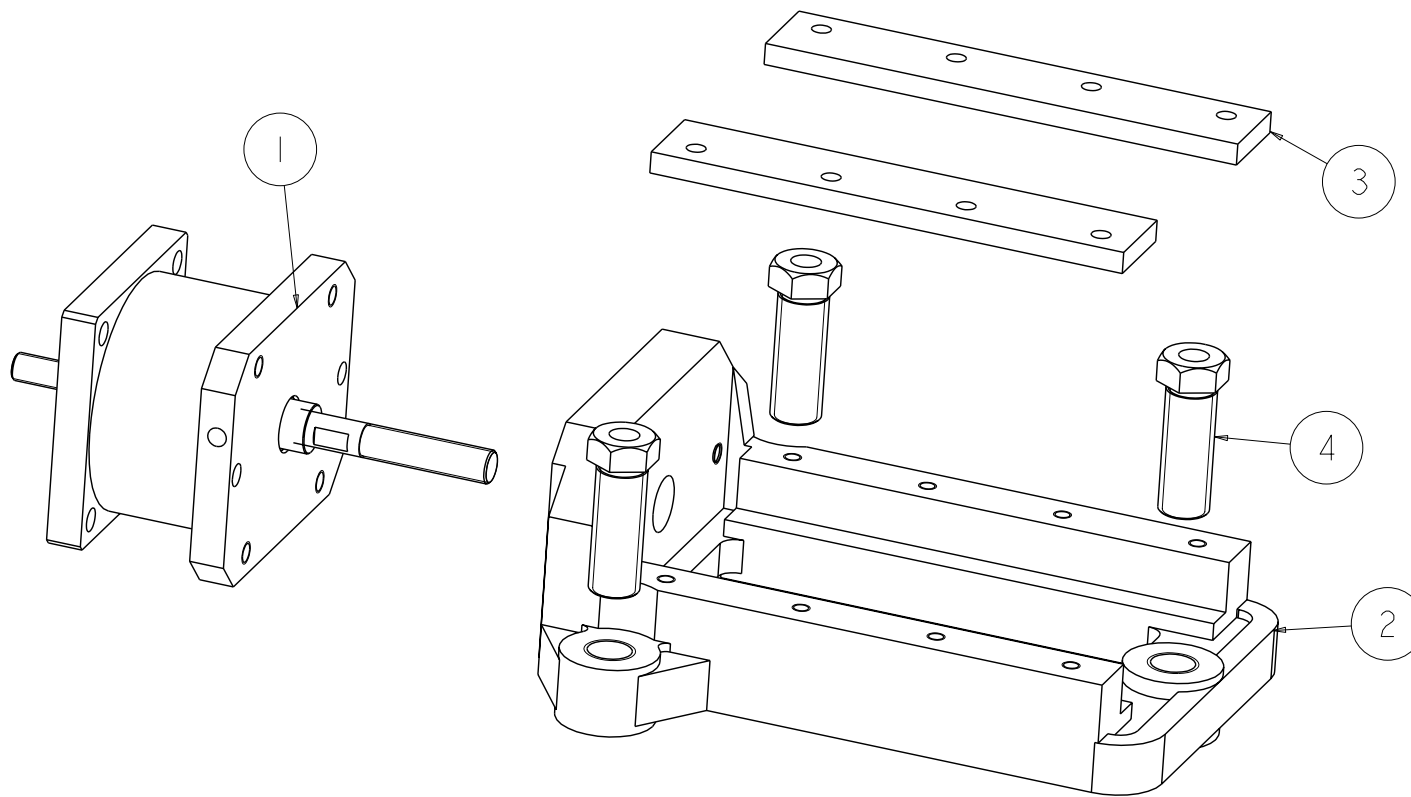
G:\PROE\450HAS-0520A.1



11	PART	6201ZZ	Ball Bearing	滾珠軸承	2	
10	PART	450HAAS-0680	CARBIDE(TOP)	導鋸片(B)	1	
9	PART	450HAAS-0671	CARBIDE(F)	導鋸片(前)	1	
8	PART	450HAAS-0670	CARBIDE(F)	導鋸片(前)	1	
7	PART	450HAAS-0660	SPRING SEAT	導鋸片銷	1	
6	PART	450HAAS-0620	COLLAR	導鋸墊圈	1	
5	PART	450HAAS-0590	Shaft-Long	支軸(長)	1	
4	PART	450HAAS-0561	CARBIDE HOLDER (R)	導鋸座	1	
3	PART	250HAS-0640	Spring	反振彈簧	1	
2	PART	250HAS-0630	Adjust Bolt	調整螺絲	1	
1	PART	250HAS-0600	Shaft-Short	支軸(短)	1	
Item	Type	Model_NO(件號)	ENG_Name(英文名稱)	CHI_Name(中文名稱)	QTY	Maker(製造商)

PROJECTION METHOD		NAME: Carbide Holder (R) ASSY	
DESIGNED	薛890719	右導鋸支臂組立	
DRAWN	薛020910	MEGA MACHINE CO., LTD.	
CHECKED		SCALE: 0.400	QTY: 1
APPROVED		MODEL_NO: 450HAS-0561A.1	

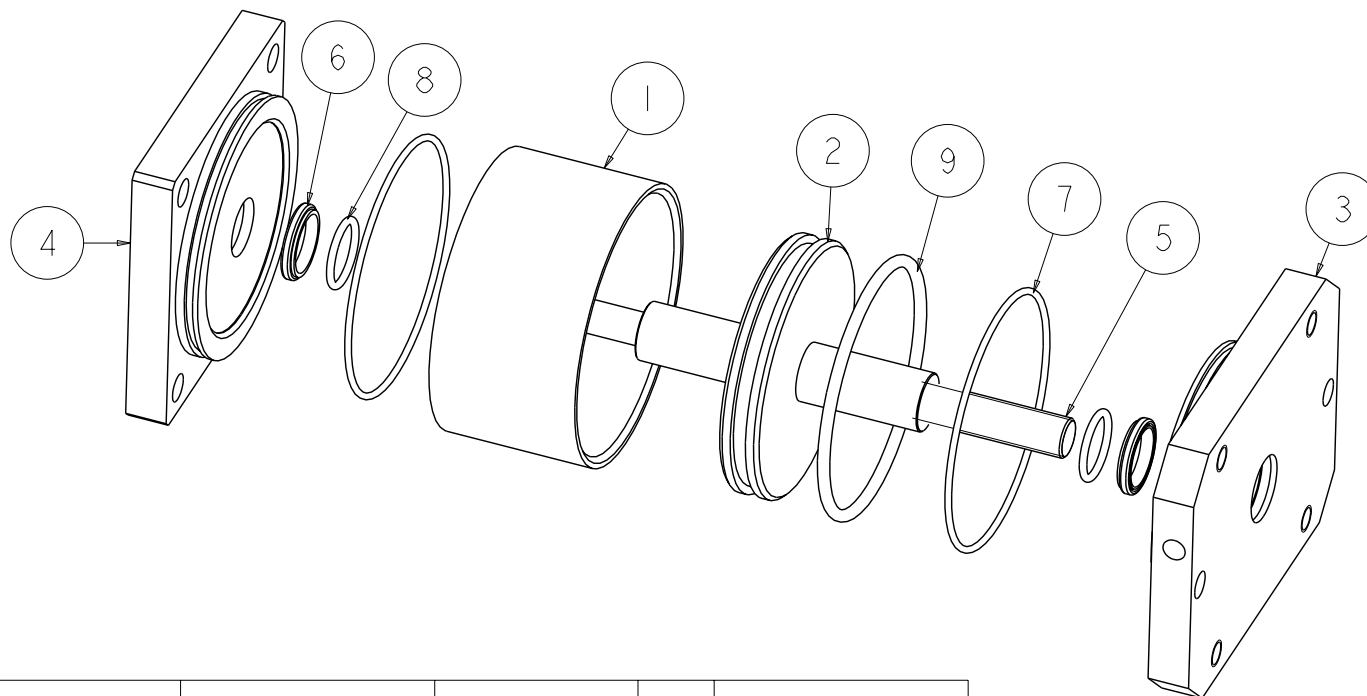
G:\PROE\450HAS-0561A.1



4	PART	H550A-0170	ADJUSTING BRACKET	鋸齒座調整螺絲	3	
3	PART	H550A-0160	GUIDE PLATE	壓板	2	
2	PART	450HAS-0150	TENSION BRACKET	鋸輪調整座	1	
1	ASSEMBLY	450HAS-0190A	Tension Cylinder ASSY	張力油缸組立	1	
Item	Type	Model_NO(件號)	ENG_Name(英文名稱)	CHI_Name(中文名稱)	QTY	Maker(製造商)

PROJECTION METHOD		NAME: Tension Cylinder ASSY	
DESIGNED	許050320	張力油缸組立	
DRAWN	薛060602	MEGA MACHINE CO., LTD.	
CHECKED		SCALE: 0.250	QTY: 1
APPROVED		MODEL_NO: 450HAS-0150A.1	

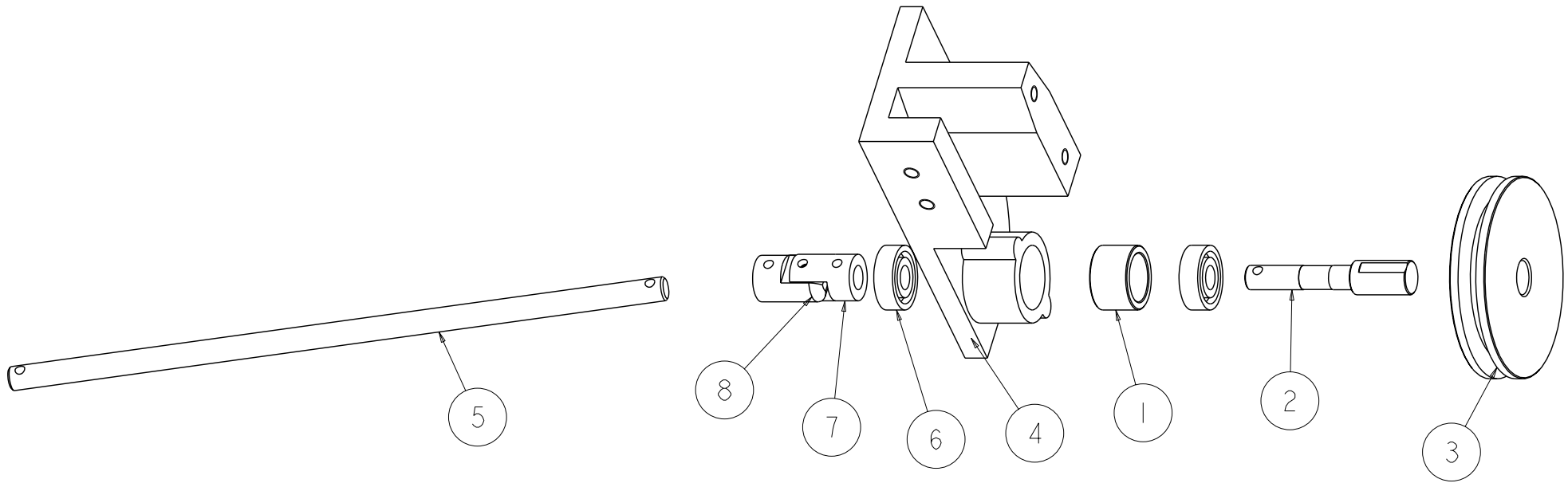
G:\PROE\450HAS-0150A.1



9	PART	P115	O-RING-P115	油封	1	
8	PART	P28	O-RING	油封	2	
7	PART	G120	O-Ring	油封	2	
6	PART	DH28	Dust Packing	油封	2	
5	PART	450HAS-0195	TENSION ADJUSTING BOLT	張力油缸調整螺絲	1	
4	PART	450HAS-0193	END CAP	張力油缸端蓋	1	
3	PART	450HAS-0192	FRONT CAP	張力油缸前蓋	1	
2	PART	450HAS-0191	TENSION PISTON	張力活塞桿	1	
1	PART	450HAS-0190	TENSION CYLINDER	張力油缸	1	
Item	Type	Model_NO (件號)	ENG_Name (英文名稱)	CHI_Name (中文名稱)	QTY	Maker (製造商)

PROJECTION METHOD		NAME	Tension Cylinder ASSY	
DESIGNED	許050320		張力油缸組立	
DRAWN	薛06'0123	MEGA MACHINE CO., LTD.		
CHECKED		SCALE	0.300	QTY: 1
APPROVED		MODEL_NO:	450HAS-0190A.1	

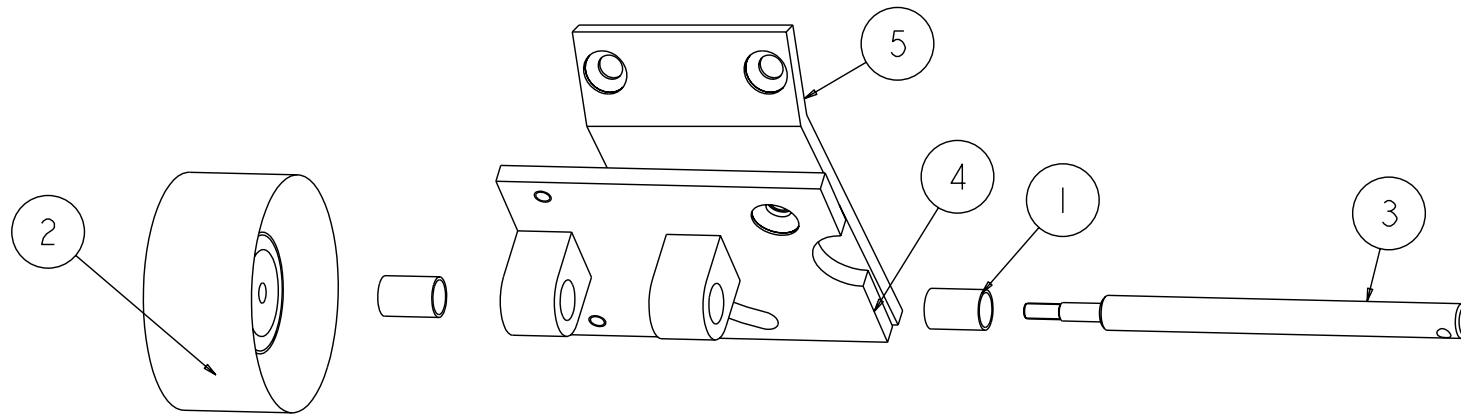
G:\PROE\450HAS-0190A.1



Item	Type	Model_NO (件號)	ENG_Name (英文名稱)	CHI_Name (中文名稱)	QTY	Maker (製造商)
9	骨架模型	450HAS-1900A_SKEL	SKELETON	骨架	1	
8	PART	NC12002	Joint	萬向接頭	1	
7	PART	NC12001	Joint	萬向接頭	1	
6	PART	6201ZZ	Ball Bearing	滾珠軸承	2	
5	PART	450HAS-1947	Brush Wheel Shaft(1)	鋼刷輪傳動軸(1)	1	
4	PART	450HAS-1900	Bracket	支座	1	
3	PART	250HAS-1920	Pulley	中間皮帶輪	1	
2	PART	250HAS-1910	Shaft	中間軸	1	
1	PART	250HAS-1805	Spacer	間隔環	1	

450HAS/H5042A/H460A

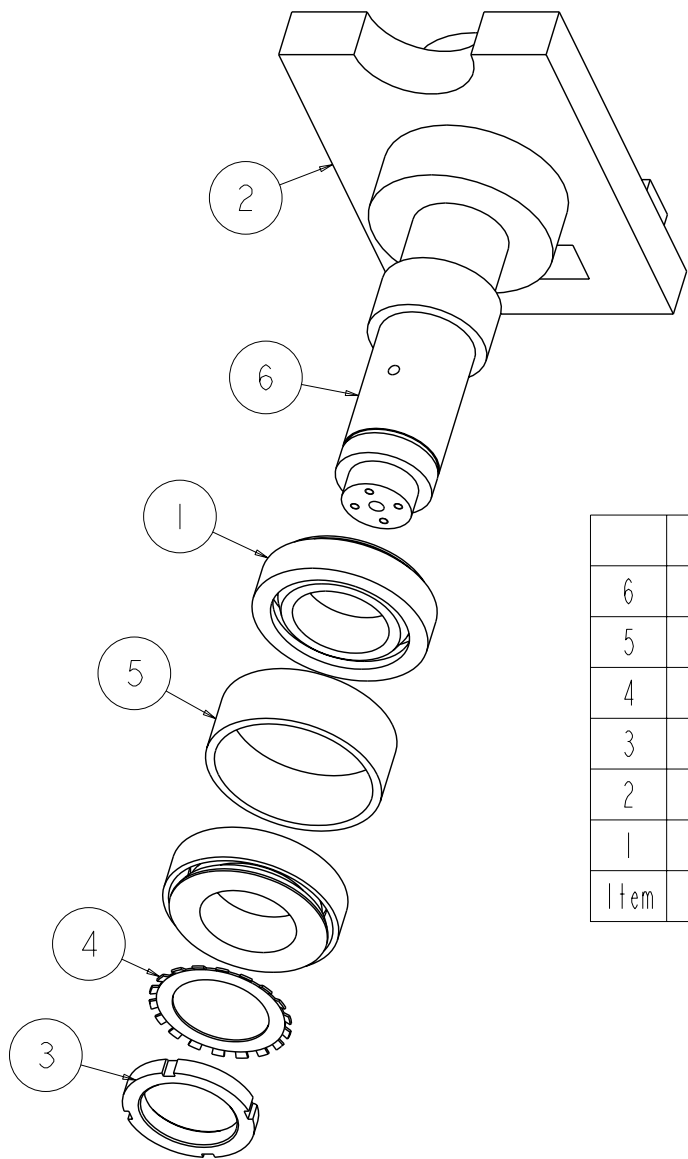
PROJECTION METHOD		NAME: Wire Brush ASSY
DESIGNED	薛04'1130	鋼絲輪刷組立
DRAWN	薛04'1130	
CHECKED		MEGA MACHINE CO., LTD.
APPROVED		SCALE: 0.350 QTY: 1
G:\PROE\450HAS-1900A.1		MODEL_NO: 450HAS-1900A.1



Item	Type	Model_NO(件號)	ENG_Name(英文名稱)	CHI_Name(中文名稱)	QTY	Maker(製造商)
5	PART	H330A-1945	Mounting Plate	鋼刷調整板	1	
4	PART	H330A-1944	Bracket	鋼刷輪座	1	
3	PART	H330A-1941	Shaft	鋼刷輪軸	1	
2	PART	H330A-1940	Wire Brush	鋼刷輪	1	
1	PART	DUI220	Dry Bearing	自潤軸承	2	

760M/H460A
 360/400/450/1830(英國專用)
 H260A/H330A(任何地區)

PROJECTION METHOD		NAME: Wire Brush ASSY
DESIGNED	薛04'0315	鋼刷輪組立
DRAWN	薛04'0315	MEGA MACHINE CO., LTD.
CHECKED		
APPROVED		SCALE: 0.400 QTY: 1
G:\PROE\H330A-1945A.1		MODEL_NO: H330A-1945A.1

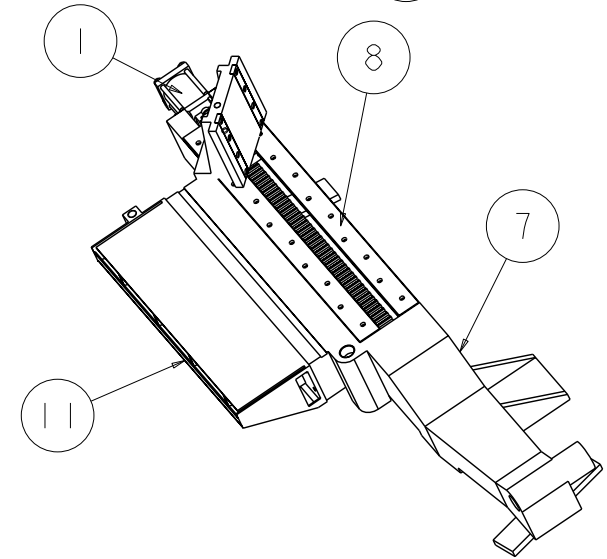
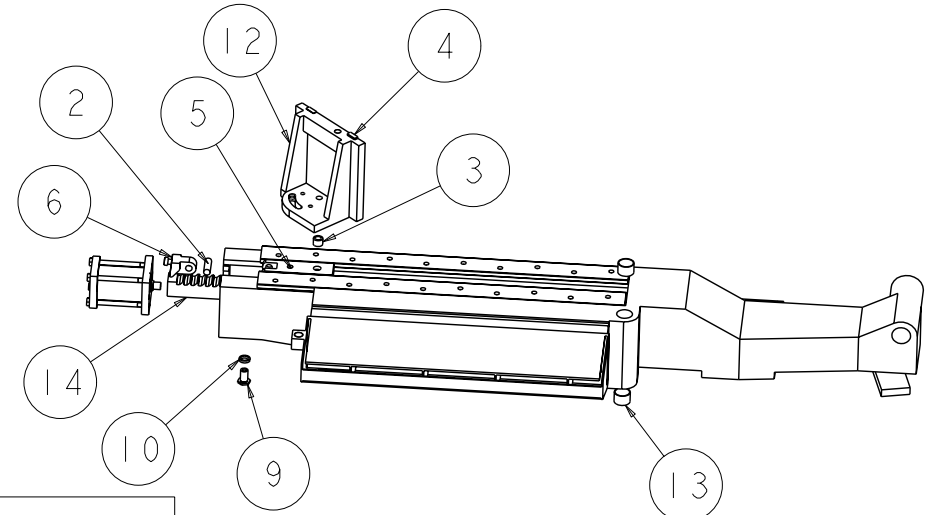


6	PART	H550A-0040	Shaft	被動輪軸	1	
5	PART	H550A-0021	Spacer	間隔環	1	
4	PART	AW11	AW Washer	防鬆墊圈	1	
3	PART	AN11	AN Nut	軸承用螺帽	1	
2	PART	450HAS-0140	Slide Piece	鋸輪滑板	1	
1	PART	32211	BEARING	軸承	2	
Item	Type	Model_NO (件號)	ENG_Name (英文名稱)	CHI_Name (中文名稱)	QTY	Maker (製造商)

PROJECTION METHOD		NAME: Driven Spindle Assy	
DESIGNED	許050320	被動輪主軸組立	
DRAWN	薛05'1031	MEGA MACHINE CO., LTD.	
CHECKED		SCALE	0.250
APPROVED		QTY:	1
G:\PROE\H550A-0040A.1		MODEL_NO:	H550A-0040A.1

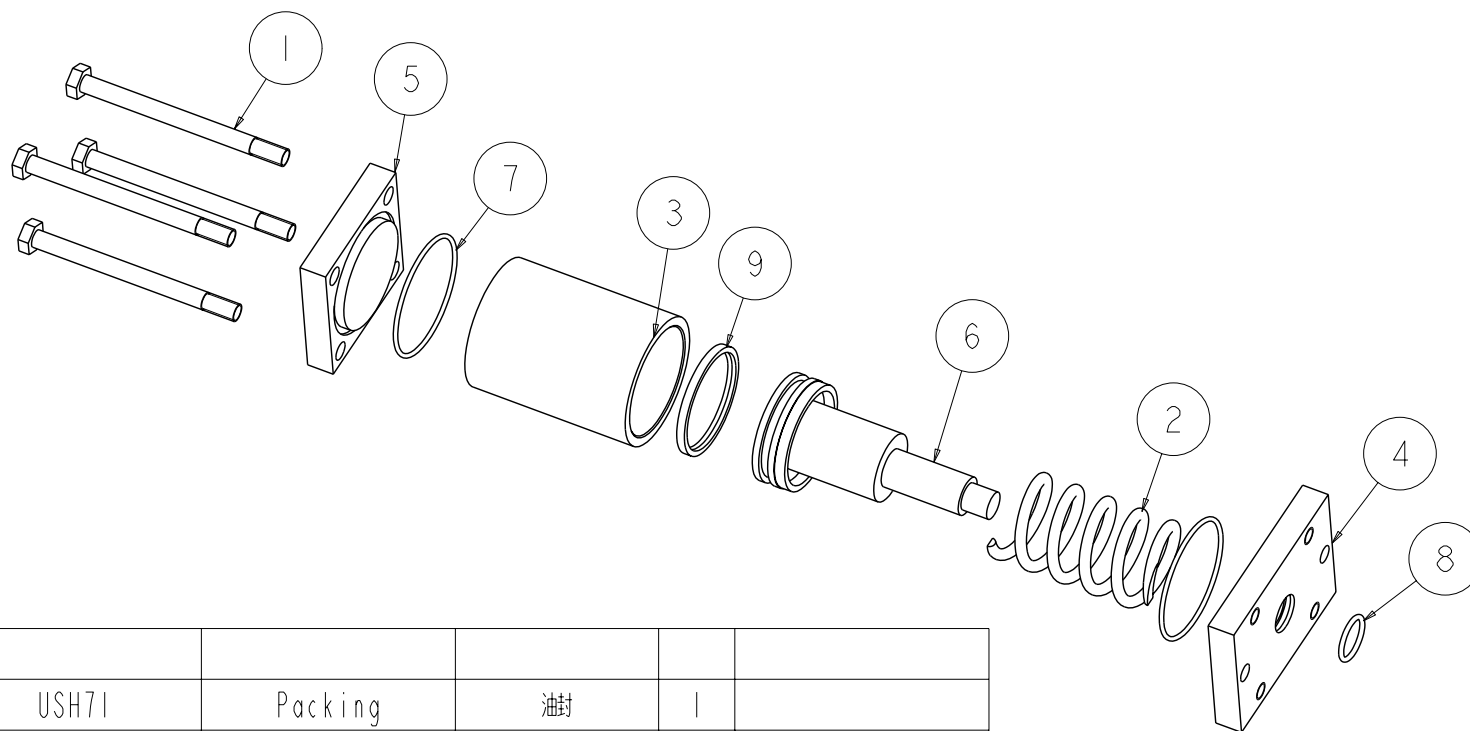
G:\PROE\H550A-0040A.1

MODEL_NO: H550A-0040A.1



15	骨架模型	760M-0801A_SKEL	Skeleton	骨架	1	MEGA CO;Ltd
14	PART	H1830-5110	RACK	施壓排齒	1	
13	PART	DU4030	Dry Bearing	自潤軸承	2	
12	PART	760M-0852A	Move Vise	活動夾鉗	1	
11	PART	760M-1120	Stock Tray	纜盤架	1	
10	PART	760M-0986	WASHER	床台旋轉墊圈	1	
9	PART	760M-0985	SHAFT	床台座旋轉心軸	1	
8	PART	760M-0853	SLIDE PLATE	夾鉗滑板	2	
7	PART	760M-0801	VICE BED	床台座	1	
6	PART	450SA-5120	PAWL	施壓推桿	1	
5	PART	450SA-0851	SLIDE BASE	夾鉗底座(左)	1	
4	PART	450HAS-5022	STEEL PLATE	夾鉗墊片	2	
3	PART	400SA-0840	VICE JAW SHAFT	夾鉗轉軸	1	
2	PART	250HAS-5130	STRAIGHT PIN	推桿梢	1	
1	ASSEMBLY	450HAAS-5500	Cylinder ASSY	夾鉗油缸組立	1	
Item	Type	Model_NO(件號)	ENG_Name(英文名稱)	CHI_Name(中文名稱)	QTY	Maker(製造商)

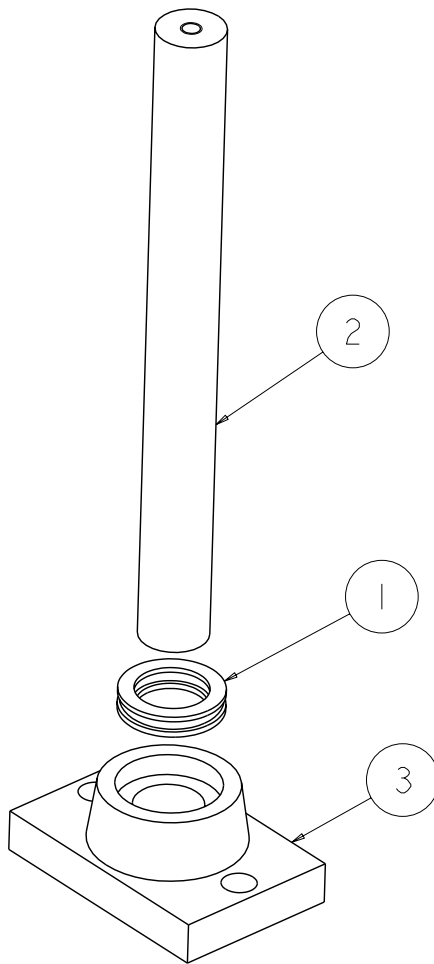
PROJECTION METHOD		NAME: REAR VISE BED ASSY
DESIGNED	薛890719	後床台組立
DRAWN	薛08'0129	
CHECKED		MEGA MACHINE CO., LTD.
APPROVED		SCALE 0.050 QTY: 1
G:\PROE\760M-0801A.1		MODEL_NO: 760M-0801A.1



9	PART	USH71	Packing	油封	1	
8	PART	P28	O-RING	油封	1	
7	PART	G85	O-Ring	O型環	2	
6	PART	450HAS-5510	PISTON	活塞桿	1	
5	PART	450HAAS-5580	CYLINDE CAP	油缸後蓋	1	
4	PART	450HAAS-5520	CYLINDER CAP	油缸前蓋	1	
3	PART	450HAAS-5500	CYLINDER	夾鉗油缸	1	
2	PART	250HAS-5650	Spring	彈簧	1	
1	PART	250HAS-5530	BOLT	螺栓	4	
Item	Type	Model_NO (件號)	ENG_Name (英文名稱)	CHI_Name (中文名稱)	QTY	Maker (製造商)

PROJECTION METHOD		NAME: Cylinder ASSY	
DESIGNED	薛890719	夾鉗油缸組立	
DRAWN	薛030327	MEGA MACHINE CO., LTD.	
CHECKED		SCALE 0.200	QTY: 1
APPROVED		MODEL_NO: 450HAAS-5500A.1	

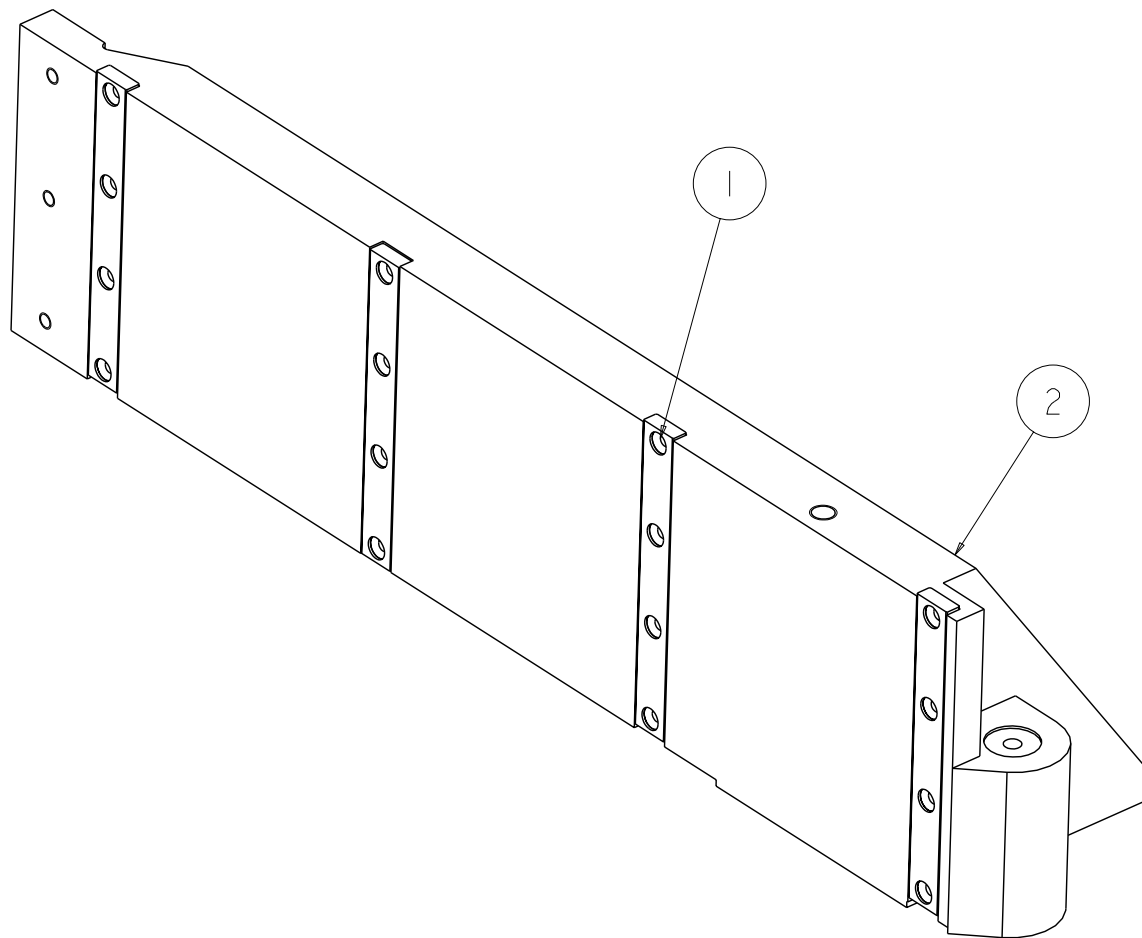
G:\PROE\450HAAS-5500A.1



4	骨架模型	760M-0801A_SKEL	Skeleton	骨架	1	MEGA CO;Ltd
3	PART	760M-0803	Bracket	床台轉軸固定座	1	
2	PART	760M-0802	BED SHAFT	床台軸	1	
1	PART	51108	BEARING	止推軸承	1	
Item	Type	Model_NO(件號)	ENG_Name(英文名稱)	CHI_Name(中文名稱)	QTY	Maker(製造商)

G:\PROE\760M-0803A.1

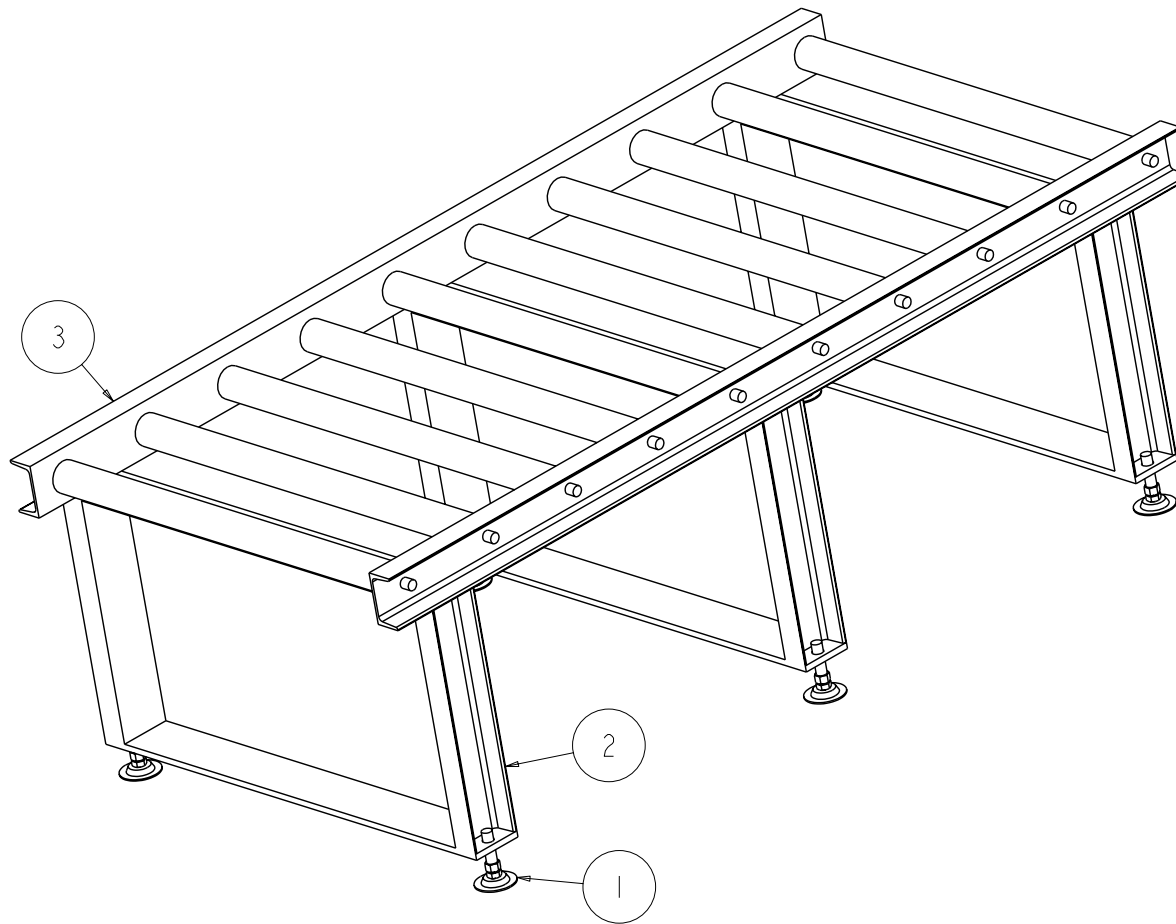
PROJECTION METHOD		NAME: Bracket ASSY
DESIGNED	薛890719	床台轉軸固定座組立
DRAWN	薛08'0129	MEGA MACHINE CO., LTD.
CHECKED		SCALE 0.250
APPROVED		QTY: 1
MODEL_NO: 760M-0803A.1		



3	骨架模型	760M-0801A_SKEL	Skeleton	骨架	1	MEGA CO;Ltd
2	PART	760M-0820	WISE JAW	右夾鉗	1	
1	PART	450HAS-5022	STEEL PLATE	夾鉗墊片	4	
Item	Type	Model_NO(件號)	ENG_Name(英文名稱)	CHI_Name(中文名稱)	QTY	Maker(製造商)

G:\PROE\760M-0820A.1

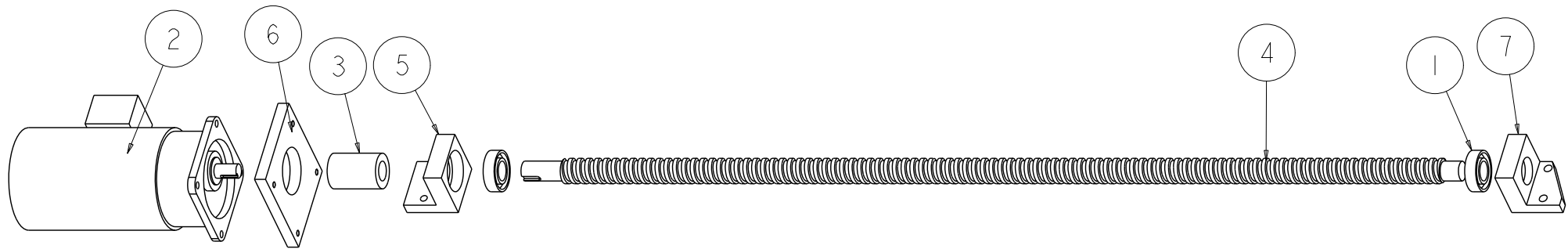
PROJECTION METHOD		NAME: VISE JAW ASSY	
DESIGNED	薛890719	右夾鉗組立	
DRAWN	薛08'0129	MEGA MACHINE CO., LTD.	
CHECKED		SCALE 0.200	QTY: 1
APPROVED		MODEL_NO:	760M-0820A.1



3	PART	760M-09012	Roller table	1.5M滾輪台	1	
2	PART	760M-09011	Roller table base	滾輪台腳架	3	
1	PART	3_4UNC_100L	Screw	螺絲	6	
Item	Type	Model_NO(件號)	ENG_Name(英文名稱)	CHI_Name(中文名稱)	QTY	Maker(製造商)

G:\PROE\760M\760M-0902AA.1

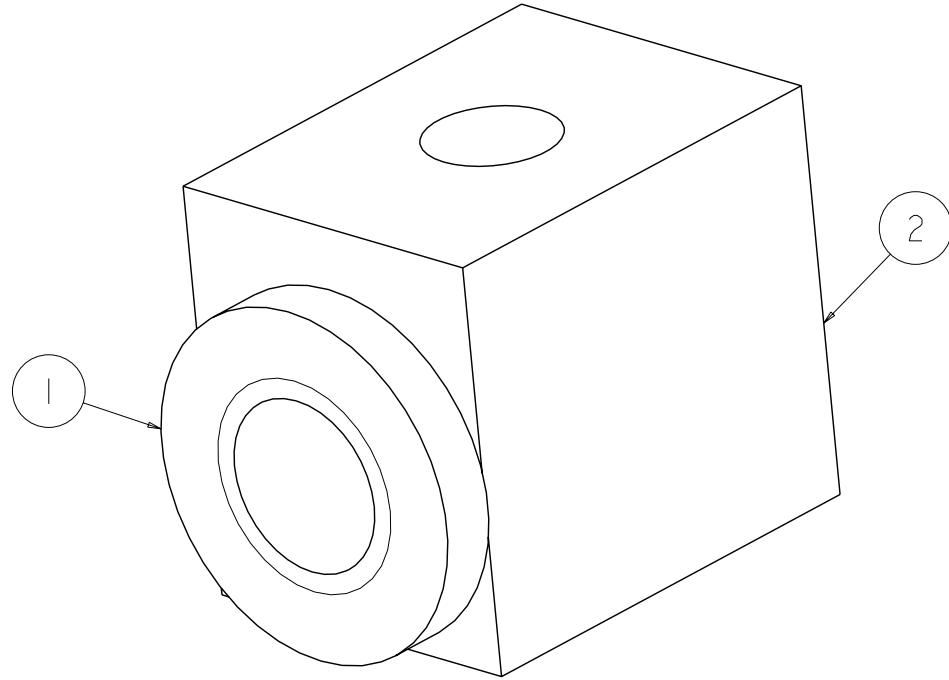
PROJECTION METHOD		NAME: Roller Table ASSY
DESIGNED	薛06'0228	滾輪台組立
DRAWN	薛05'0511	MEGA MACHINE CO., LTD.
CHECKED		SCALE 0.080
APPROVED		QTY: 1
MODEL_NO: 760M-0902AA.1		



Item	Type	Model_NO (件號)	ENG_Name (英文名稱)	CHI_Name (中文名稱)	QTY	Maker (製造商)
7	PART	760M-0993	BRACKET	轉向螺桿固定座 (後)	1	
6	PART	760M-0992	FIXED PLATE	旋轉角度固定板	1	
5	PART	760M-0991	BRACKET	轉向螺桿固定座 (前)	1	
4	PART	760M-0980	ROTATE SHAFT	旋轉螺桿	1	
3	PART	760M-0979	JOINT SHAFT	連接塊	1	
2	PART	1_8HP4PA	MOTOR	轉向馬達	1	外購商: 統領
1	PART	6205	Ball Bearing	滾珠軸承	2	

PROJECTION METHOD		NAME: ROTATE SYSTEM	
DESIGNED	吳011005	轉向系統	
DRAWN	薛08'0129	MEGA MACHINE CO., LTD.	
CHECKED		SCALE 0.140 QTY: 1	
APPROVED		MODEL_NO: 760M-0980A.1	

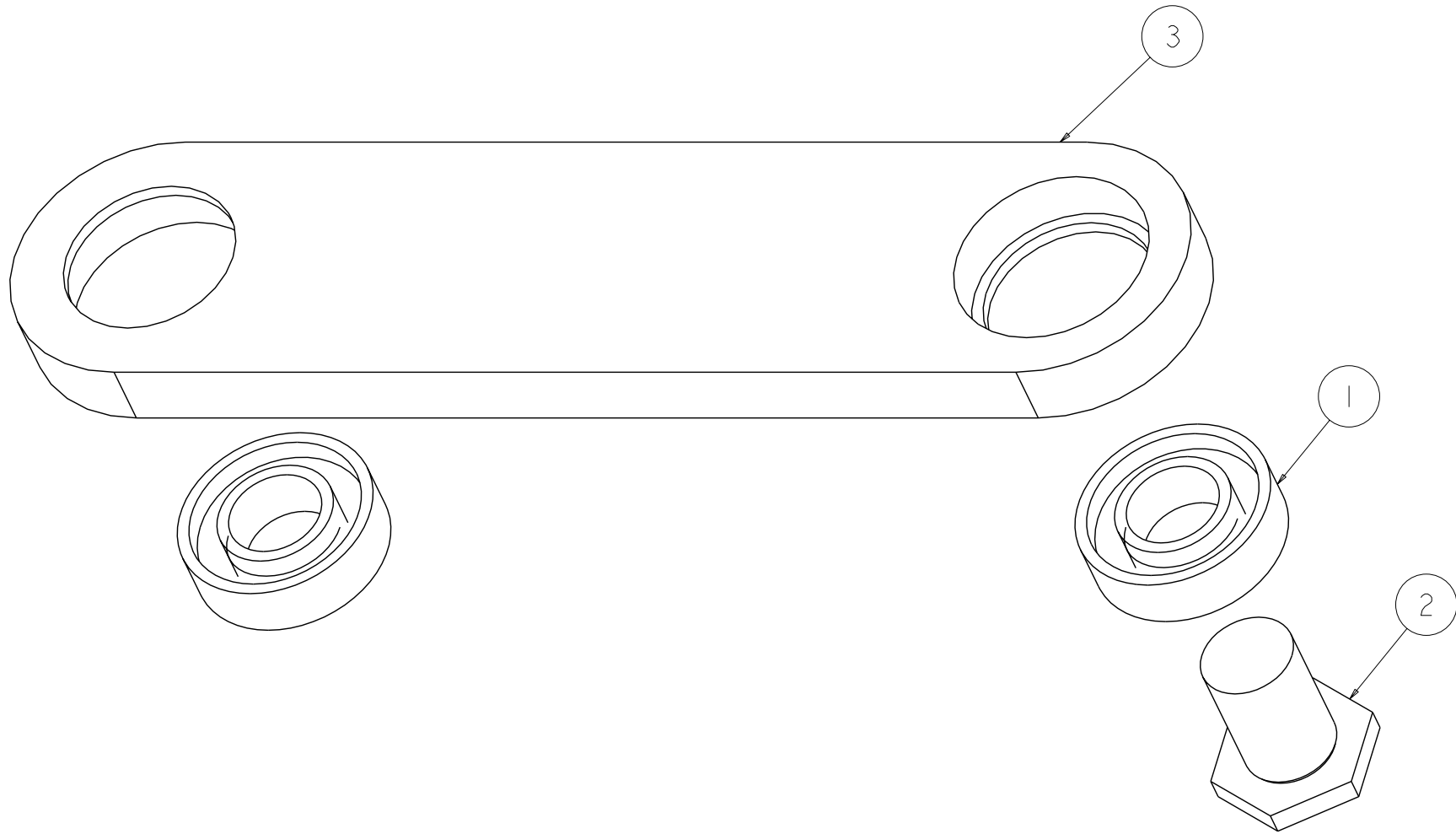
G:\PROE\760M-0980A.1



2	PART	760M-0983	STOPPER BRACKET	定寸螺帽座	1	
1	PART	760M-0982	NUT	旋轉螺帽	1	
Item	Type	Model_NO (件號)	ENG_Name (英文名稱)	CHI_Name (中文名稱)	QTY	Maker (製造商)

PROJECTION METHOD		NAME: STOPPER BRACKET ASSY	
DESIGNED	薛04'0809	定寸螺帽座組立	
DRAWN	薛08'0320	MEGA MACHINE CO., LTD.	
CHECKED		SCALE: 1.000	QTY: 1
APPROVED		MODEL_NO: 760M-0983A.1	

G:\PROE\760M-0983A.1



3	PART	760M-0987	LINKAGE	連桿	1	
2	PART	760M-0984	SHAFT	螺帽旋轉心軸	1	
1	PART	6004	Ball Bearing	軸承	2	
Item	Type	Model_NO(件號)	ENG_Name(英文名稱)	CHI_Name(中文名稱)	QTY	Maker(製造商)

PROJECTION METHOD		NAME: LINKAGE ASSY	
DESIGNED	吳011005	連桿組立	
DRAWN	吳011005	MEGA MACHINE CO., LTD.	
CHECKED		SCALE 0.800	QTY: 1
APPROVED		MODEL_NO: 760M-0987A.1	

G:\PROE\760M-0987A.1